

➤ Instructions / Anleitung Instructions / Instrucciones Instructies

Thule Sleek

11000001, 11000002, 11000003, 11000004, 11000005, 11000006,
11000007, 11000008, 11000009, 11000010, 11000011, 11000012,
11000013, 11000014, 11000015, 11000016, 11000017, 11000018,
11000019, 11000020



EN Stroller	ET Käru	HU Babakocsi
DE Buggy	LV Ratiņi	EL Καρότσι
FR Poussette	LT Vežimėlis	TR Bebek Arabası
NL Kinderwagen	PL Wózek spacerowy	IL עגלת ילדים
IT Passeggino	RU Коляска	HE עربة أطفال
ES Carrito	UK Коляска	ZH 婴儿车
PT Carrinho	BG Количка	ZH 嬰兒推車
SV Barnvagn	CS Kočárěk	JA ベビーカー
DK Klapvogn	SK Kočík	KO 유모차
NO Barnevogn	SL Otroški voziček	TH รถเข็นเด็ก
FI Lastenvaunut	RO Cărucior	MS Kereta Sorong

EN For children of age 6 months and older (up to 15 kg/33 lb) that can sit unaided. From birth when used with Thule Sleek Bassinet.	FI Sopii vähintään 6 kuukauden ikäisille (enintään 15 kg) lapsille, jotka osaavat istua avustamatta. Sopii vastasyntyneille Thule Sleek Bassinet varustettuna.
DE Kinder müssen mindestens 6 Monate alt sein und selbständig aufrecht sitzen können. Das Maximalgewicht beträgt 15 kg. Für Neugeborene bei Verwendung mit Thule Sleek Bassinet.	RU Для детей возрастом от 6 месяцев (и весом до 15 кг), которые могут самостоятельно сидеть. Может использоваться с рождения в комплекте с Thule Sleek Bassinet.
FR Pour enfants âgés de 6 mois et plus (jusqu'à 15 kg) et capables de se tenir assis sans aide. Utilisation possible dès la naissance avec le Thule Sleek Bassinet.	CS Pro děti od 6 měsíců (do 15 kg), které již umí sedět bez opory. S korbou Thule Sleek Bassinet lze používat od narození dítěte.
NL Kinderen van 6 maanden en ouder (maximaal 15 kg) die zonder hulp overeind kunnen zitten. Vanaf de geboorte bij gebruik van de Thule Sleek Bassinet-reiswieg.	SL Za otroke, stare 6 mesecev ali več (do 15 kg/33 funtov), ki lahko sedijo samostojno. Za otroke od rojstva naprej v kombinaciji s košaro Thule Sleek Bassinet.
IT Bebés desde los 6 meses (hasta 15 kg) que se sientan sin ayuda. Desde el nacimiento cuando se usa con Thule Sleek Bassinet.	TR 6 aylık ve daha büyük (15 kg'a kadar) desteksiz oturabilen bebekler için. Thule Sleek Bassinet ile kullanıldığında doğumdan itibaren.
ES Bebés desde los 6 meses (hasta 15 kg) que se sientan sin ayuda. Desde el nacimiento cuando se usa con Thule Sleek Bassinet.	ZH 可适用于年满6个月、体重为15公斤(33磅)以下并且可以坐稳的婴幼儿。新生儿可使用 Thule Sleek Bassinet
PT Idade igual ou superior a 6 meses (até 15 kg/33 lb de peso) e quando a criança se conseguir sentar sem ajuda. A partir do momento do nascimento quando utilizado com o Thule Sleek Bassinet.	ZH 需年滿6個月(最重15公斤/33磅)且可自行坐起如為初生嬰兒,請搭配 Thule Sleek Bassinet 使用
SV För barn från 6 månaders ålder (upp till 15 kg) som kan sitta upprätt utan stöd. För nyfödda om den används med Thule Sleek Bassinet.	JA 月齡6か月以上(体重15kgまで)。ひとり座り能力が必要。以下との同時使用で新生児に対応: Thule Sleek Bassinet
NO Barn fra 6 måneder og eldre (opptil 15 kg) og kan sitte uten hjelp. Fra fødsel når den brukes med Thule Sleek Bassinet.	KO 혼자 태울 수 있는 6개월 이상의 유아(최대 15kg/33lb)를 대상으로 함. 신생아부터 Thule Sleek Bassinet 사용 가능함
DK Alder fra 6 måneder og ældre (op til 15 kg/33 pund), som kan sidde uden hjælp. Fra fødslen, når den bruges sammen med Thule Sleek Bassinet.	TH อายุ 6 เดือนขึ้นไป (สูงสุด 15 กก./33 ปอนด์) และสามารถนั่งคนเดียวได้ ตั้งแตแรกเกิดสามารถใช้ กับ Thule Sleek Bassinet
	MS Produk ini tidak sesuai digunakan untuk berlari atau disorong sambil berkasut roda.
	PL Dla dzieci w wieku minimum 6 miesięcy (do 15 kg), które potrafią same siedzieć. Od urodzenia w połączeniu z gondolą Thule Sleek Bassinet.





MAX kg	 15 kg	 15 kg + 15 kg	 15 kg + 9 kg
MAX kg	5 kg		
MAX ----- -----	111 cm		



MAX lbs	 49 lbs	 33 lbs + 33 lbs	 33 lbs + 20 lbs
MAX lbs	11 lbs		
MAX ----- -----	44"		

Product Registration
Thule Inc. is your authorized Thule Product Registration provider. To register your product, visit www.thule.com/register.
 Toute information relative à l'inscription de votre produit Thule peut être obtenue auprès de votre fournisseur ou de Thule. Pour en savoir plus, visitez www.thule.com/register.
 Para registrar su producto, visite www.thule.com/register.

Enregistrement du produit
Thule Inc. est votre fournisseur officiel de produits Thule. Pour en savoir plus sur l'inscription de votre produit Thule, visitez www.thule.com/register.
 Toute information relative à l'inscription de votre produit Thule peut être obtenue auprès de votre fournisseur ou de Thule. Pour en savoir plus, visitez www.thule.com/register.
 Para registrar su producto, visite www.thule.com/register.

Registro del producto
Thule Inc. es su proveedor autorizado de productos Thule. Para obtener más información sobre el registro de su producto Thule, visite www.thule.com/register.
 Toda información relativa al registro de su producto Thule puede obtenerse de su proveedor o de Thule. Para obtener más información, visite www.thule.com/register.
 Para registrar su producto, visite www.thule.com/register.

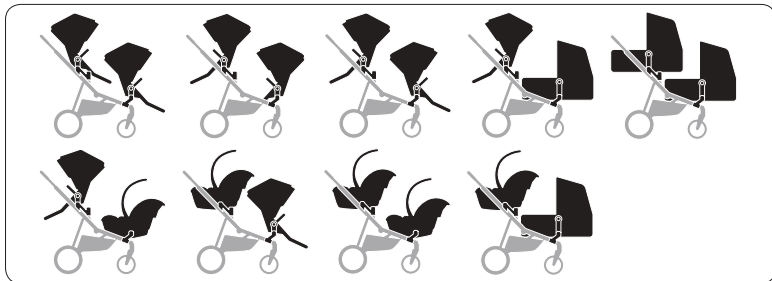
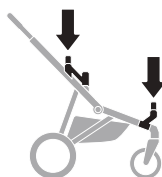
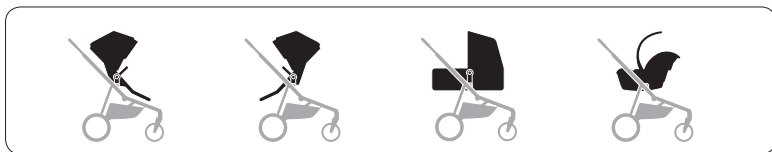
Produktregistrierung
Thule Inc. ist Ihr autorisierter Thule-Produkt-Anbieter. Um mehr Informationen über die Registrierung Ihres Thule-Produkts zu erhalten, besuchen Sie www.thule.com/register.
 Toute information relative à l'inscription de votre produit Thule peut être obtenue auprès de votre fournisseur ou de Thule. Pour en savoir plus, visitez www.thule.com/register.
 Para registrar su producto, visite www.thule.com/register.



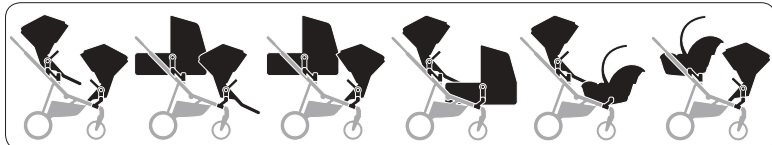
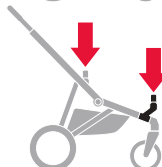
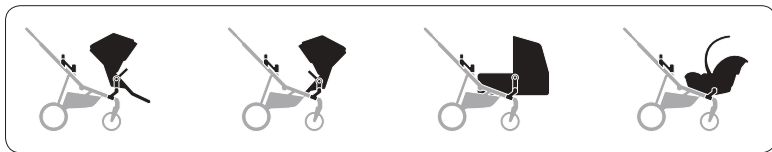
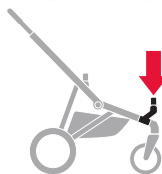
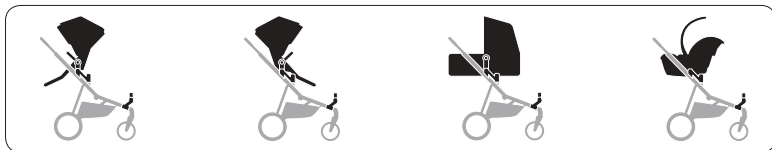
www.thule.com/register



EN Approved configurations / **DE** Erlaubte Konfigurationen / **FR** Configurations approuvées / **NL** Goedgekeurde opstellingen / **IT** Configurazioni approvate / **ES** Configuraciones aprobadas / **PT** Configurações aprovadas / **SV** Godkända konfigurationer / **DK** Godkendte konfigurationer / **NO** Godkjente konfigurasjoner / **FI** Hyväksytyt kokoonpanot / **ET** Heakskiidetud kombinatsioonid / **LV** Atļautās konfigurācijas / **LT** Patvirtintos konfigūracijos / **PL** Zatwierdzone konfiguracje / **RU** Допустимая конфигурация / **UK** Схвалені конфігурації / **BG** Одобрени конфигурации / **CS** Schválené konfigurace / **SK** Schválené konfigurácie / **SL** Odobrene konfiguracije / **RO** Configurații aprobate / **HU** Jóváhagyott konfigurációk / **EL** Εγκεκριμένες διαμορφώσεις / **TR** Onaylı konfigürasyonlar / **HE** תורחם מותרות / **AR** تمتعيل حانيرفلسا / **ZH-CN** 已被认可的配置 / **ZH-TW** 核准的配置圖 / **JA** 承認済み構成 / **KO** 승인 구성 / **TH** อนุมัติการจัดตั้ง / **MS** Konfigurasi diluluskan



EN Not Approved configurations / **DE** Nicht erlaubte Konfigurationen / **FR** Configurations non approuvées / **NL** Niet goedgekeurde opstellingen / **IT** Configurazioni non approvate / **ES** Configuraciones no aprobadas / **PT** Configurações não aprovadas / **SV** Ej godkända konfigurationer / **DK** Ikke godkendte konfigurationer / **NO** Ikke godkjente konfigurasjoner / **FI** Ei-hyväksytyt kokoonpanot / **ET** Sobimatud kombinatsioonid / **LV** Neatļautās konfigurācijas / **LT** Nepatvirtintos konfigūracijos / **PL** Niezatwierdzone konfiguracje / **RU** Недопустимая конфигурация / **UK** Не схвалені конфігурації / **BG** Неодобрени конфигурации / **CS** Neschválené konfigurace / **SK** Neschválené konfigurácie / **SL** Neodobrene konfiguracije / **RO** Configurații neaprobate / **HU** Nem jóváhagyott konfigurációk / **EL** Μη εγκεκριμένες διαμορφώσεις / **TR** Onaylanmayan konfigürasyonlar / **HE** תורחם אל מותרות / **AR** تمتعيل زيغ حانيرفلسا / **ZH-CN** 未被认可的配置 / **ZH-TW** 未核准的配置圖 / **JA** 非承認構成 / **KO** 비승인 구성 / **TH** อนุมัติการจัดตั้ง / **MS** Konfigurasi tidak diluluskan



6	EN
10	DE
14	FR
18	NL
22	IT
26	ES
30	PT
34	SV
38	NO
42	DK
46	FI
50	RU
54	CS
58	SL
62	TR
66	ZH
70	ZH
74	JA
78	KO
82	TH
86	MS
90	PL

Congratulations

And thank you for choosing Thule Sleek! You can rest assured that we have put all our efforts, knowledge and passion into designing the most stylish, flexible and safe stroller we could think of. All so that you and your child are free to go wherever your curiosity takes you.

Before you use your Thule Sleek, please read the following instructions carefully and keep them for future reference.

Let's go!

/Thule

Content

Introduction

Visual language in instructions	7
Introduction to Thule Sleek	8
Safety guidelines	9
Maintenance	9
Warranty information	9
Accessories	9
Contact	9

Instruction for use

Using the parking brake	98
Adjusting the handlebar	98
Using the wrist strap	98
Using the seat	99
Folding and unfolding	104
Locking front wheels	106
Using the basket	106
Using the rain cover	107

Preparing for use

In the box	94
Assembling the chassis	95
Assembling the seat	96
Mounting the seat	97

Visual language in instructions

The meaning of the visual language used in these instructions:



Visual check OK.



Conveys additional information.



Visual check not OK.



Indicates that special attention is required.



Audible click.



Indicates that special attention is required and refers to a paragraph in the safety guidelines section of these instructions.



Movement in given direction.



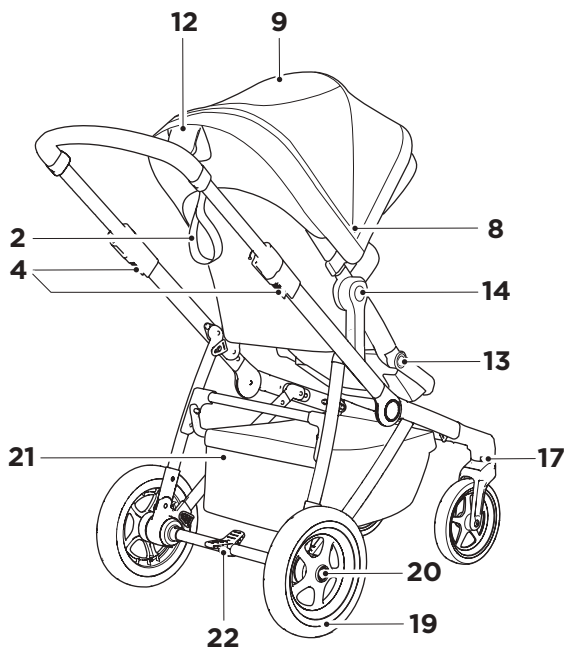
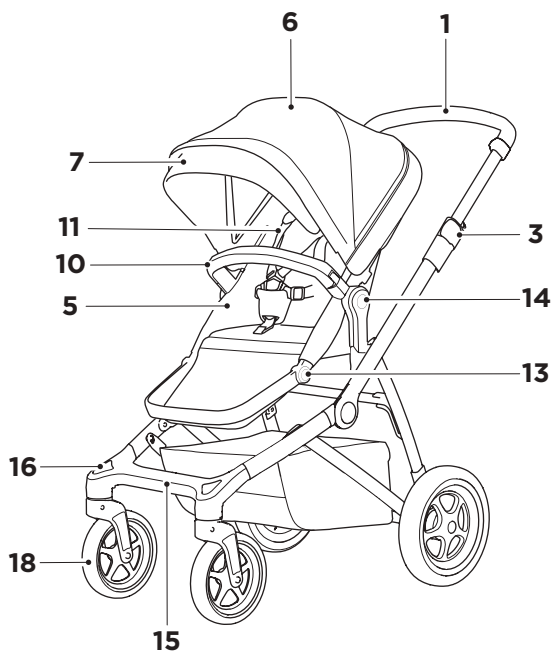
Indicates that special attention is required and refers to a paragraph in the safety guidelines section of the separate safety booklet delivered with this product.

2x

Repeat action.

Features

1. Handlebar
2. Wrist strap
3. Handlebar height adjustment
4. Fold slide-buttons
5. Main seat
6. Canopy
7. Sun visor
8. Zipper for canopy extension and ventilation
9. Peekaboo window



10. Swing away bumper bar
11. Harness
12. Seat recline handle
13. Foot rest adjust button
14. Seat release button
15. Foot step
16. Wheel locking button
17. Wheel release button
18. Swivel front wheel
19. Rear wheel
20. Rear wheel release button
21. Basket
22. Parking brake

WARNING:

- i1.** IMPORTANT - Keep these instructions for future reference. Your child's safety may be affected if you do not follow these instructions.
- i2.** Read the Safety manual for Thule Strollers before use and keep for future reference.

IMPORTANT INFORMATION

Thule Sleek chassis is only compatible with Thule Sleek main seat, Thule Sleek Sibling Seat, Thule Sleek Bassinet and Thule Sleek Car Seat Adapters.

MAINTENANCE

Keeping your Thule Sleek stroller clean and well maintained is an important factor in keeping it in good condition.

Regularly inspect your stroller and accessories for damage and signs of wear:

- Check metal components for any dents or cracks. Do not use the stroller if any metal components are cracked or damaged.
- Examine the fabric regularly for tears, worn spots or any other signs of damage.

The fabrics on Thule Sleek can be cleaned by hand.

- Spot clean or hand wash gently with mild soap & warm water. Do not use cleaning solvents.
- Rinse well with warm water.
- Hang to air dry completely.
- Do not machine wash! No bleach. Do not iron. Do not dry clean.
- If needed seat and canopy fabric can be removed for cleaning.

The Thule Sleek chassis and wheels can be cleaned with a damp cloth. Dry it with a dry cloth.

If wheels squeak, lubricate sparingly with silicone lubricant. Do NOT use oil or grease based products, as this will attract dirt,

which will clog the movement.

Store your stroller and accessories in a dry area out of direct sunlight. Before storing your stroller, it should be dry to prevent the growth of mold or bacteria.

EN

WARRANTY AND REPLACEMENT PARTS

Thule is dedicated to providing exceptional products that are quality tested and guaranteed against defects in materials and workmanship. For detailed information regarding Thule Guarantee and Thule Extended Warranty for Thule Sleek please check Thule.com.

Only use replacement parts supplied or recommended by Thule.

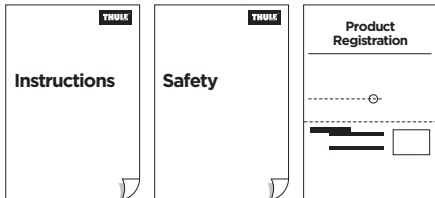
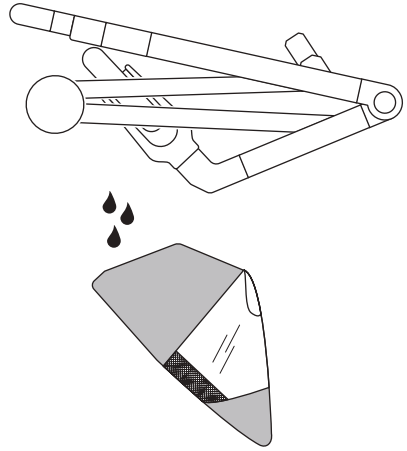
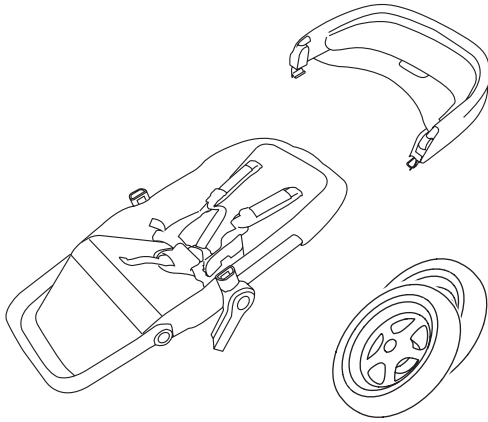
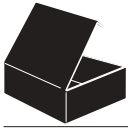
Replacement parts are available for purchase at your local Thule dealer. You can find the closest Thule Dealer by using our dealer locator on Thule.com.

ACCESSORIES

You can easily increase the functionality of your Thule Sleek stroller by adding one or more accessories, from car seat adapter to cup holder to color-matching footmuff. With added convenience and comfort for both parent and child, your strolls will become even more enjoyable. Contact your local dealer or visit www.thule.com for more information.

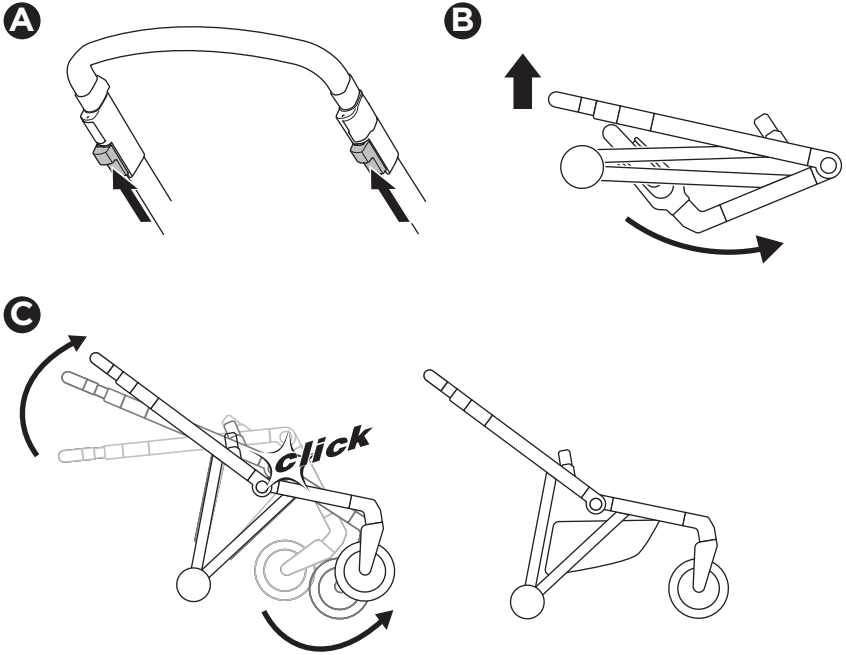
CONTACT

We are always interested to get your feedback and answer your questions on our products to make sure we give the best experience possible. Please contact our consumer service via support.thule.com or contact your local dealer.

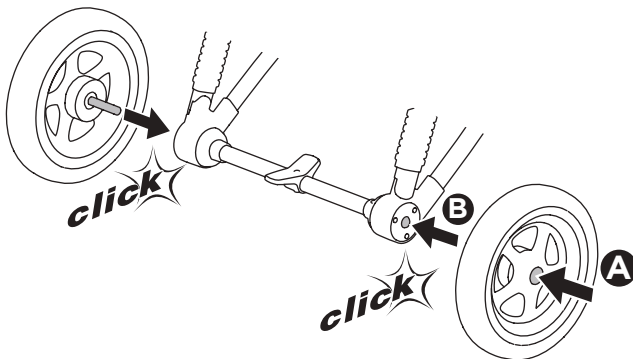




1



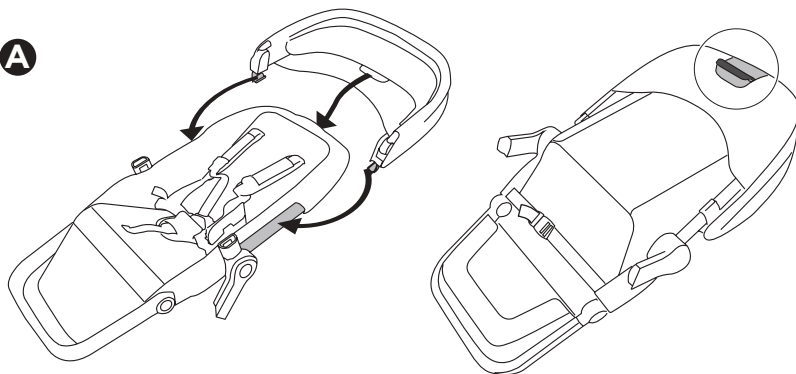
2



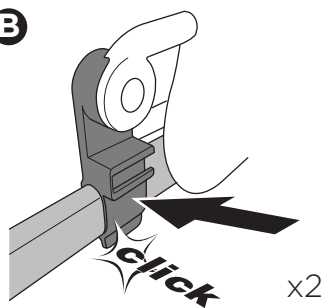


1

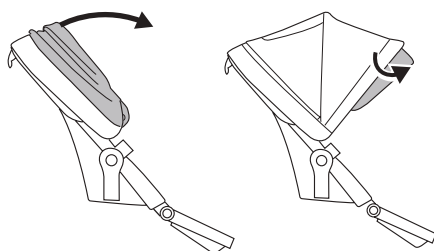
A



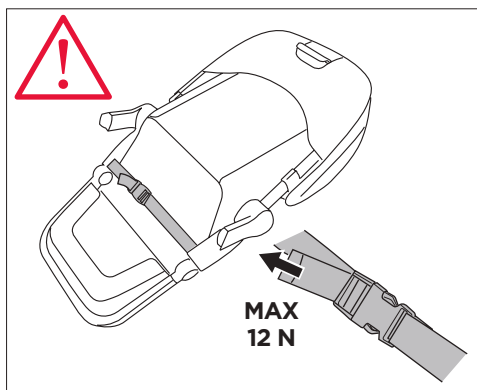
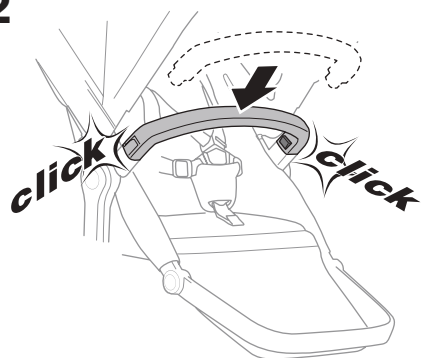
B

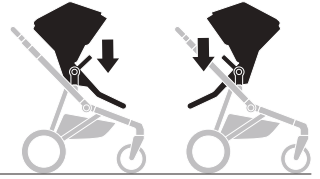


C

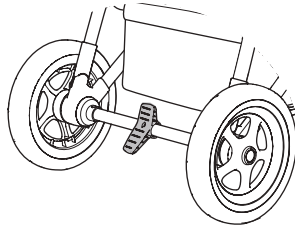
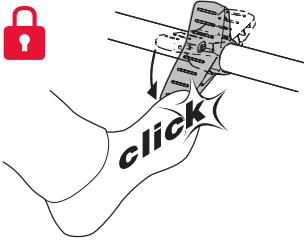


2

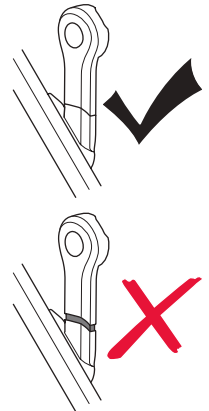
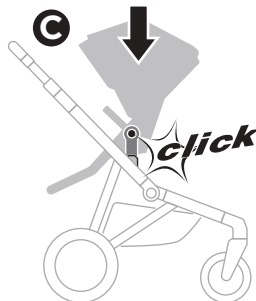
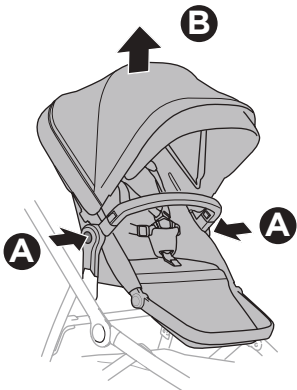
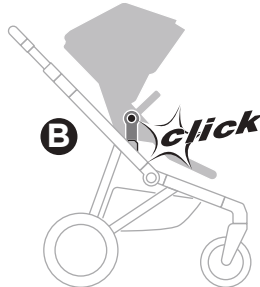
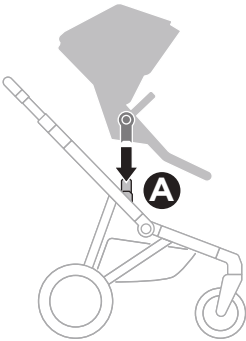


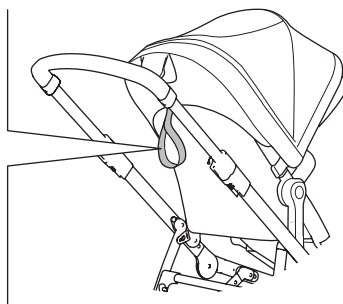
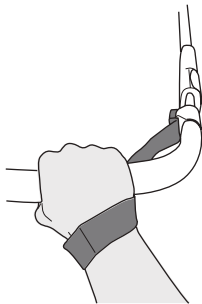
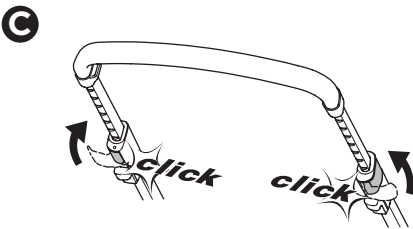
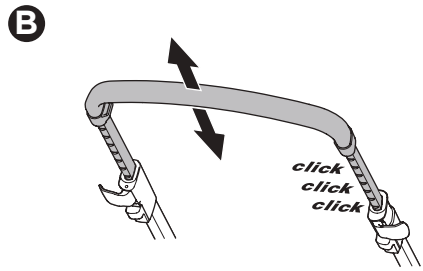
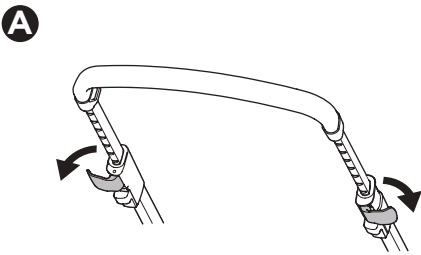
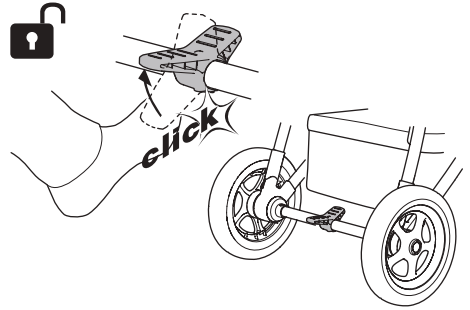
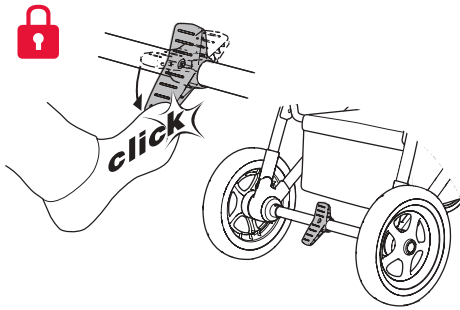
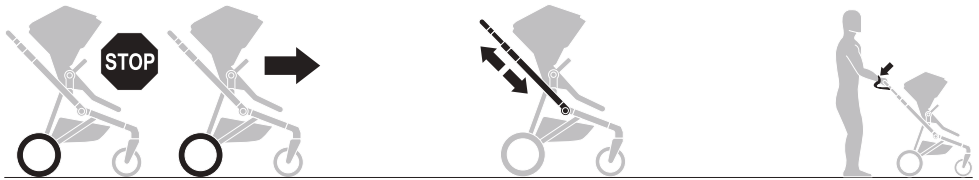


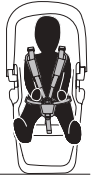
1



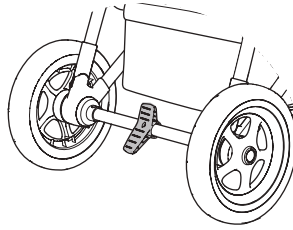
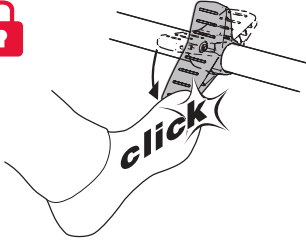
2



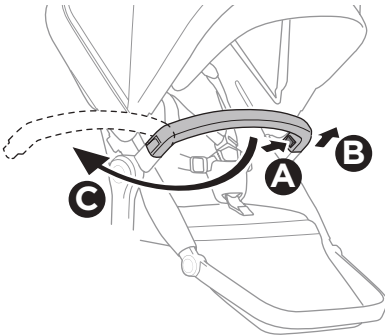




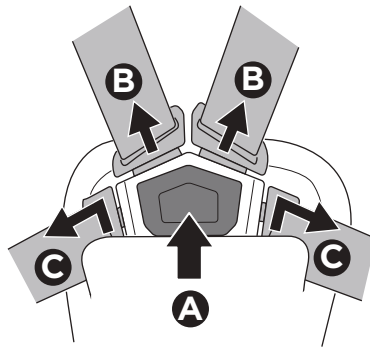
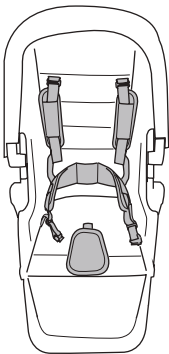
1



2



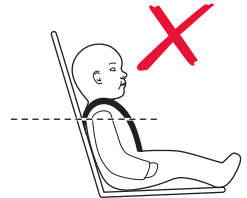
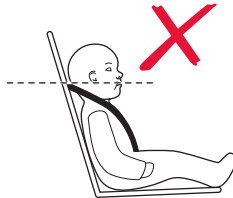
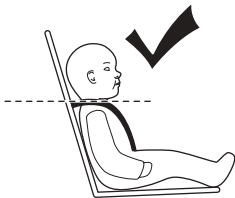
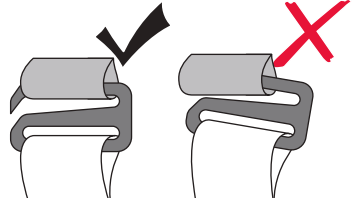
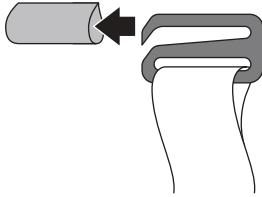
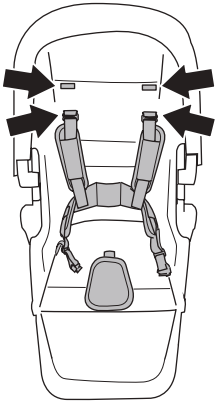
3



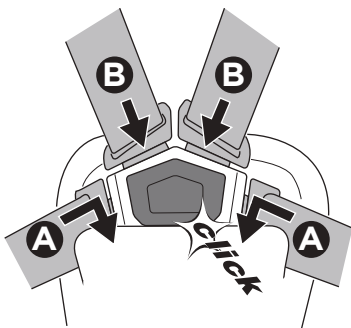
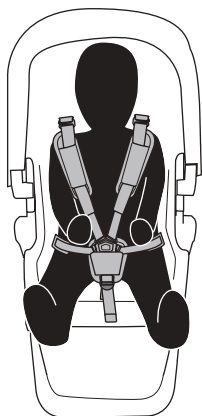
4



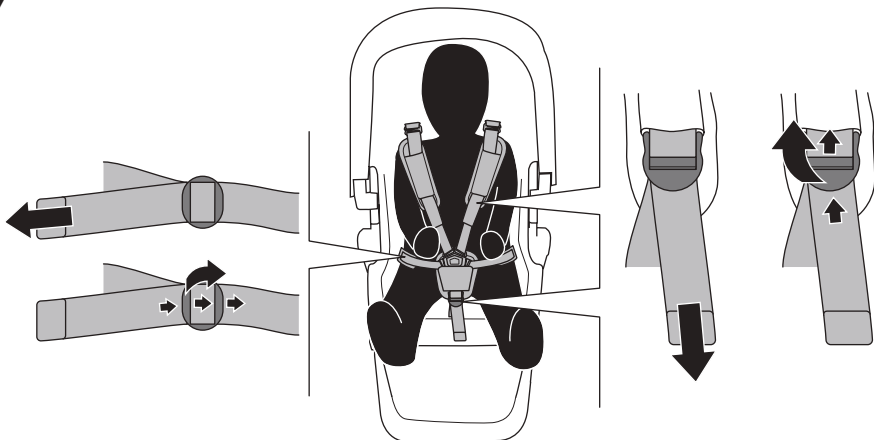
5



6

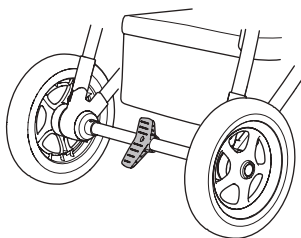
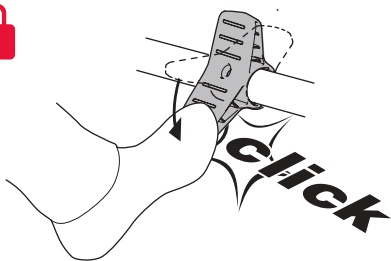


7

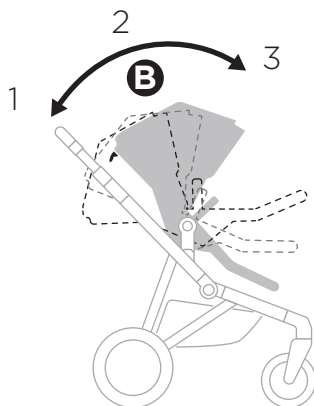
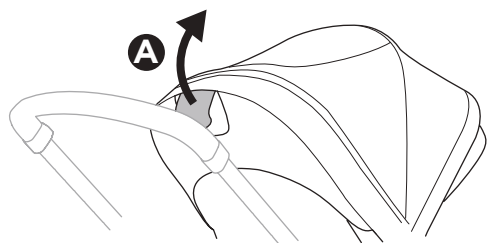




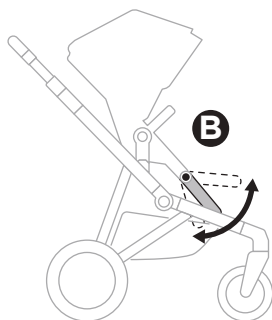
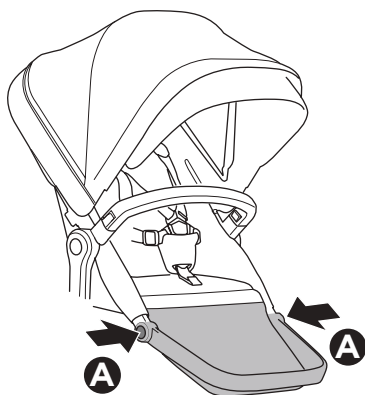
1



2

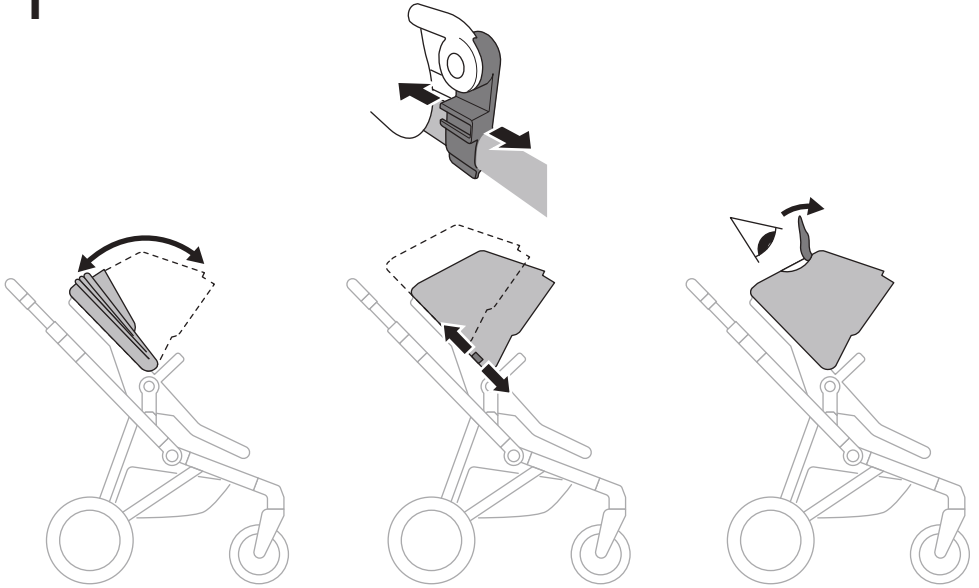


3

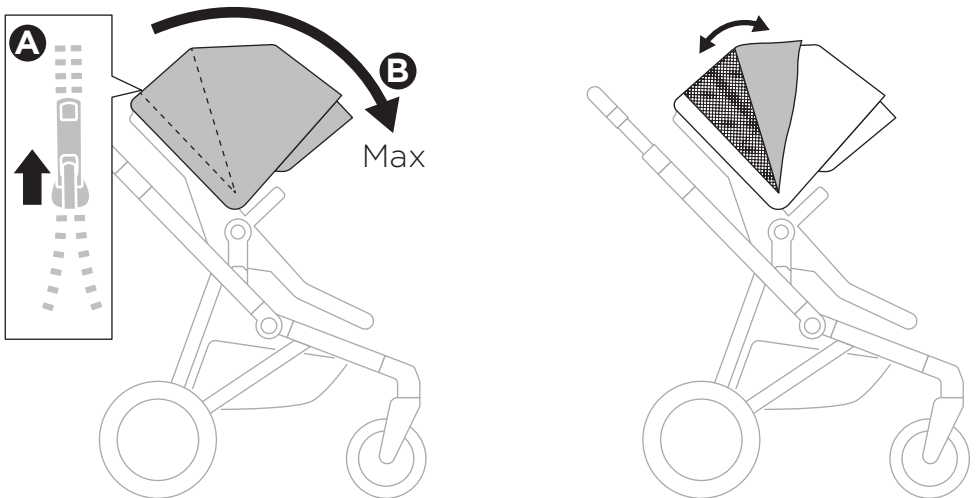




1

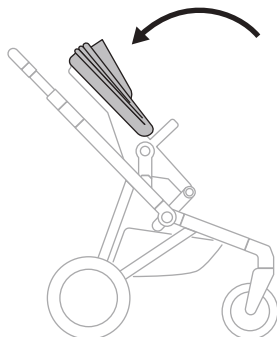
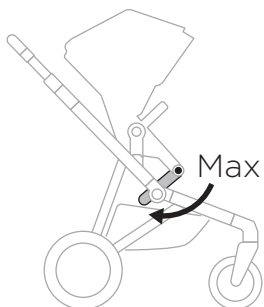
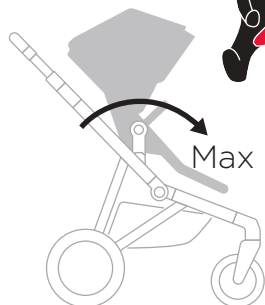


2

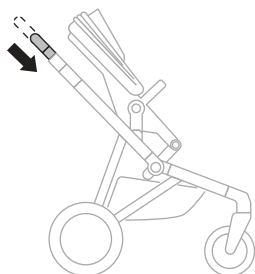




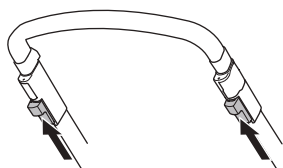
1



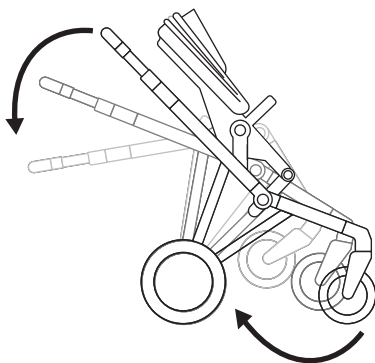
2



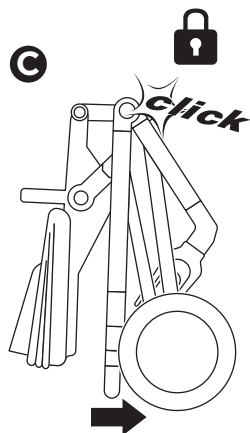
A

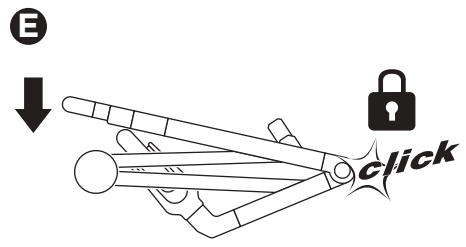
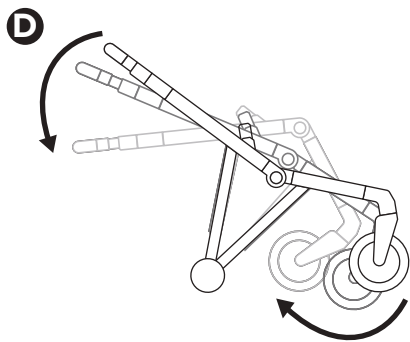
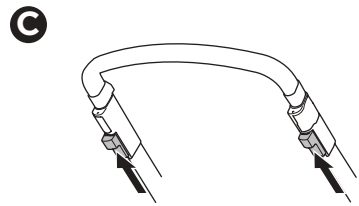
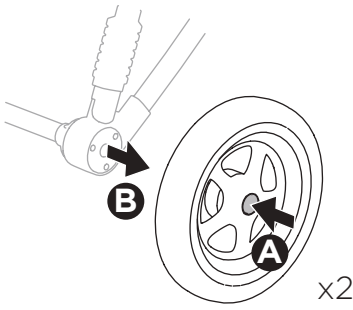
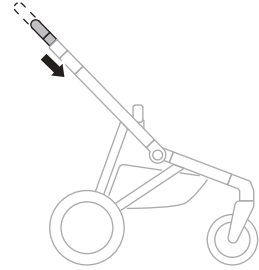


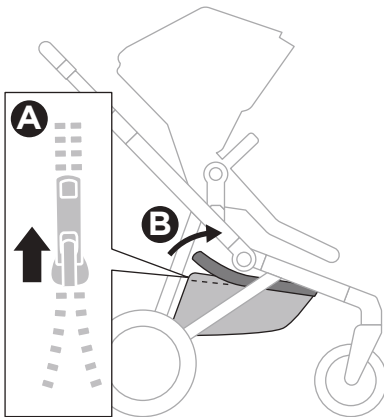
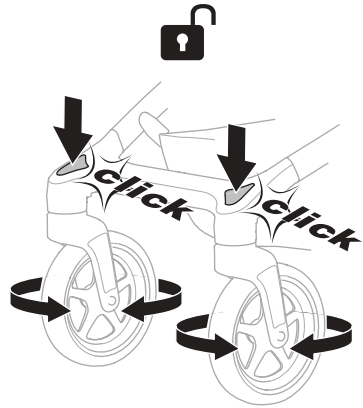
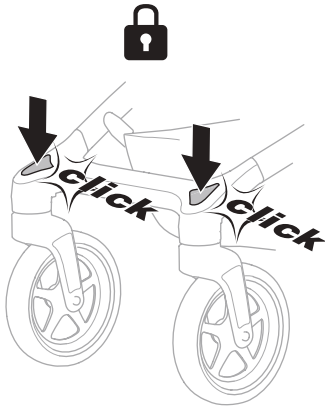
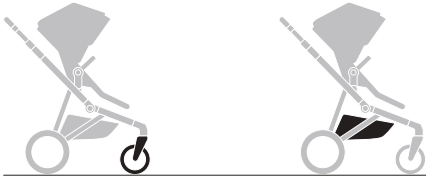
B



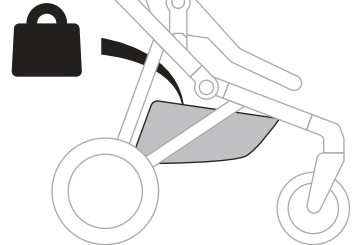
C





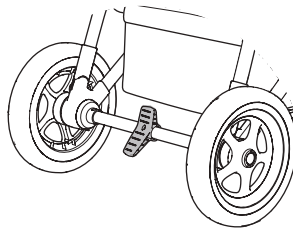
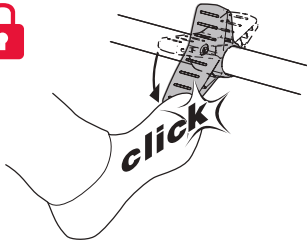


Max 5 kg
11 lbs





1



2

