

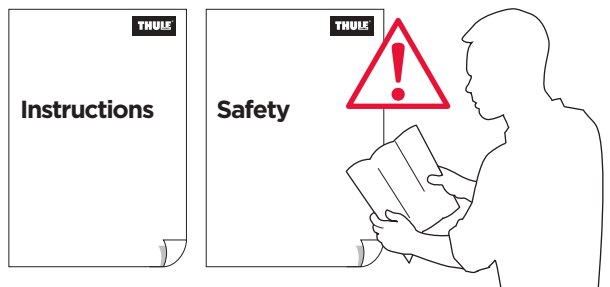
➤ Instructions / Anleitung Instructions / Instrucciones Instructies

Thule Sleek Bassinet Bassinet / Nacelle / Moisés / Reiswieg

11000100, 11000101, 11000102, 11000103, 11000104, 11000105,
11000106, 11000107, 11000108, 11000109



- EN** Bassinet including bassinet rain cover, upper and lower adapters
- DE** Bassinet mit Regenverdeck für Kinderkörbchen, oberen und unteren Adaptern
- FR** Nacelle avec habillage pluie et adaptateurs supérieur et inférieur
- NL** Reisiwig inclusief regenhoes, en boven- en onderadapters
- IT** La navicella include la copertura anti pioggia e gli adattatori superiori e inferiori
- ES** El moisés con cubierta para lluvia y adaptadores superior e inferior
- PT** Alcofa incluindo a capa de chuva da alcofa e os adaptadores superiores e inferiores
- SV** Liggdel inklusive regnskydd, övre och nedre adapter
- DK** Indsats inklusive regnslag og øvre og nedre adaptere
- NO** Babykurv inkludert regndecksel for babykurv, øvre og nedre adaptere
- FI** Vauvankori mukaan lukien sadesuojus sekä ylä- ja alasovittimet
- ET** Vankrikorvi, sh vankrikorvi vihmakate ning ülemised ja alumised adapterid
- LV** Kulba, ieskaitot kulbas lietus pārklāju, augšējo un apakšējo adapteri
- LT** Lopšys, įskaitant lopių apdangalą nuo lietaus, viršutinius ir apatinius adapterius
- PL** Gondola z osłoną przeciwdeszczową oraz adapterami górnym i dolnym
- RU** Люлька с дождевым чехлом, верхним и нижним переходниками
- UK** Люлька в комплекті з дощовим чохлом, верхнім і нижнім адаптерами
- BG** В комплекта на бебешката кошница са включени дъждобран, горен и долен адаптер
- CS** Korba včetně pláštěnky na korbu, horního a dolního adaptéru
- SK** Vanička vrátane plášténky na vaničku, horného a dolného adaptéru
- SL** Košara s pregrinjalom proti dežju ter zgornjim in spodnjim nastavkom
- RO** Coș de copii cu husă de ploaie pentru coș, adaptoare pentru partea de sus și de jos incluse
- HU** A mózeskosár esővédő takarót, valamint felső és alsó adaptert tartalmaz
- EL** Πορτ-μπρεμπέ με κουκούλα βροχής, επάνω και κάτω προσαρμογείς
- TR** Beşik yağmurluğu ile alt ve üst adaptörleri dahil beşik
- HE** סל שכבה הכולל כיסוי גשם עבור סל השכיבה, מתאמים עליונים ותחתונים
- AR** سرير يتضمن غطاء للمطر على السرير مع مهايئات علوية وسفلية
- ZH-CN** 婴儿睡篮包含婴儿睡篮防雨罩和上下适配器
- ZH-TW** 搖籃隨附搖籃遮雨罩和上下層轉接器
- JA** BassinetにはBassinet用レインカバー、上部および下部のアダプターが含まれます
- KO** 요람 레인 커버, 상단 및 하단 어댑터가 포함된 요람
- TH** ที่นอนเด็ก รวมถึงผ้า ครอบคลุมกันฝน ที่ปรับตั้ง านบนและด านล่าง
- MY** Basinet termasuk pengadang hujan basinet, penyesuai atas dan bawah



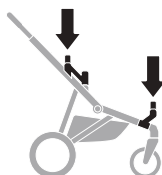


MAX kg		 9 kg	 9 kg + 9 kg	 9 kg + (9 kg)	 9 kg + (15 kg)
MAX kg		5 kg			

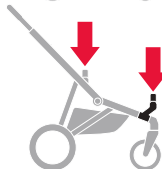
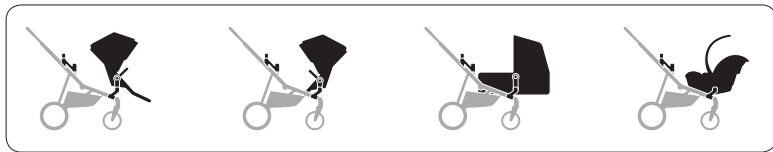
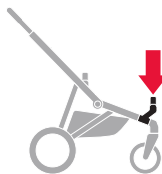
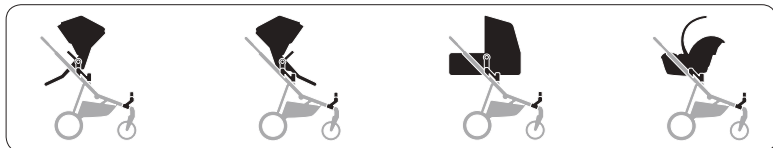
MAX lbs		 20 lbs	 20 lbs + 20 lbs	 20 lbs + (20 lbs)	 20 lbs + (33 lbs)
MAX lbs		11 lbs			



EN Approved configurations / **DE** Erlaubte Konfigurationen / **FR** Configurations approuvées / **NL** Goedgekeurde opstellingen / **IT** Configurazioni approvate / **ES** Configuraciones aprobadas / **PT** Configurações aprovadas / **SV** Godkända konfigurationer / **DK** Godkendte konfigurationer / **NO** Godkjente konfigurasjoner / **FI** Hyväksytyt kokoonpanot / **ET** Heakskiidetud kombinatsioonid / **LV** Atļautās konfigurācijas / **LT** Patvirtintos konfigūracijos / **PL** Zatwierdzone konfiguracje / **RU** Допустимая конфигурация / **UK** Схвалені конфігурації / **BG** Одобрени конфигурации / **CS** Schválené konfigurace / **SK** Schválené konfigurácie / **SL** Odobrene konfiguracije / **RO** Configurații aprobate / **HU** Jóváhagyott konfigurációk / **EL** Εγκεκριμένες διαμορφώσεις / **TR** Onaylı konfigürasyonlar / **HE** תורמת אל תורמת / **AR** حيت على تانيونفلسا / **ZH-CN** 已被认可的配置 / **ZH-TW** 核准的配置圖 / **JA** 承認済み構成 / **KO** 승인 구성 / **TH** อนุมัติการรวมกัน / **MS** Konfigurasi diluluskan



EN Not Approved configurations / **DE** Nicht erlaubte Konfigurationen / **FR** Configurations non approuvées / **NL** Niet goedgekeurde opstellingen / **IT** Configurazioni non approvate / **ES** Configuraciones no aprobadas / **PT** Configurações não aprovadas / **SV** Ej godkända konfigurationer / **DK** Ikke godkendte konfigurationer / **NO** Ikke godkjente konfigurasjoner / **FI** Ei hyväksytyt kokoonpanot / **ET** Sobimatud kombinatsioonid / **LV** Neatļautās konfigurācijas / **LT** Nepatvirtintos konfigūracijos / **PL** Niezatwierdzone konfiguracje / **RU** Недопустимая конфигурация / **UK** Несхвалені конфігурації / **BG** Неодобрени конфигурации / **CS** Neschálené konfigurace / **SK** Neschálené konfigurácie / **SL** Neodobrene konfiguracije / **RO** Configurații neaprobate / **HU** Nem jóváhagyott konfigurációk / **EL** Μη εγκεκριμένες διαμορφώσεις / **TR** Onaylanmayan konfigürasyonlar / **HE** תורמת אל תורמת / **AR** حيت على ريغ تانيونفلسا / **ZH-CN** 未被认可的配置 / **ZH-TW** 未核准的配置圖 / **JA** 非承認構成 / **KO** 비승인 구성 / **TH** อนุมัติการรวมกัน / **MS** Konfigurasi tidak diluluskan



6	EN
8	DE
10	FR
12	NL
14	IT
16	ES
18	PT
20	SV
22	NO
24	DK
26	FI
28	RU
30	CS
32	SL
34	TR
36	ZH
38	ZH
40	JA
42	KO
44	TH
46	MS
48	PL

Content

Introduction

Visual language in instructions	6
Introduction to Thule Sleek Bassinet	7
Safety guidelines	7
Maintenance	7

Preparing for use

In the box	50
Assembling the bassinet	51

Instruction for use

Mounting the bassinet	53
Using the canopy and ventilation	54
Folding bassinet and stroller	56
Using the rain cover	57

Instruction for use Duo and Twin mode

Mounting the bassinet	59
-----------------------	----

Visual language in instructions

The meaning of the visual language used in these instructions:



Visual check OK.



Conveys additional information.



Visual check not OK.



Indicates that special attention is required.



Audible click.



Indicates that special attention is required and refers to a paragraph in the safety guidelines section of these instructions.



Movement in given direction.



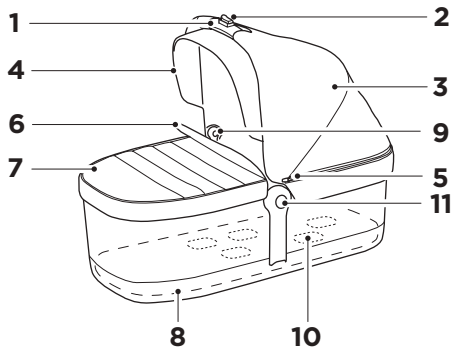
Indicates that special attention is required and refers to a paragraph in the safety guidelines section of the separate safety booklet delivered with this product.

2x

Repeat action.

Features

1. Carry handle
2. Bassinet release slide button
3. Canopy
4. Sun visor
5. Zipper for canopy ventilation
6. Wind flap
7. Apron
8. Mattress
9. Canopy folding buttons
10. Bottom ventilation
11. Mounting arm fold button



WARNING:

- i1. **IMPORTANT** - Keep these instructions for future reference. Your child's safety may be affected if you do not follow these instructions.
- i2. Read the Safety manual for Thule Strollers and Bassinets before use and keep for future reference.
- i3. Read all instructions before use of the infant carrier.

IMPORTANT INFORMATION

Thule Sleek Bassinet is only compatible with Thule Sleek stroller.

MAINTENANCE

Keeping your Thule Sleek Bassinet clean and well maintained is an important factor in keeping it in good condition.

Regularly inspect your stroller and accessories for damage and signs of wear:

- Do not use the infant carrier if it is damaged or broken.
- Check metal components for any dents or cracks. Do not use the stroller if any metal components are cracked or damaged.

- Examine the fabric regularly for tears, worn spots or any other signs of damage.

The fabrics on Thule Sleek Bassinet can be cleaned according the following instructions:

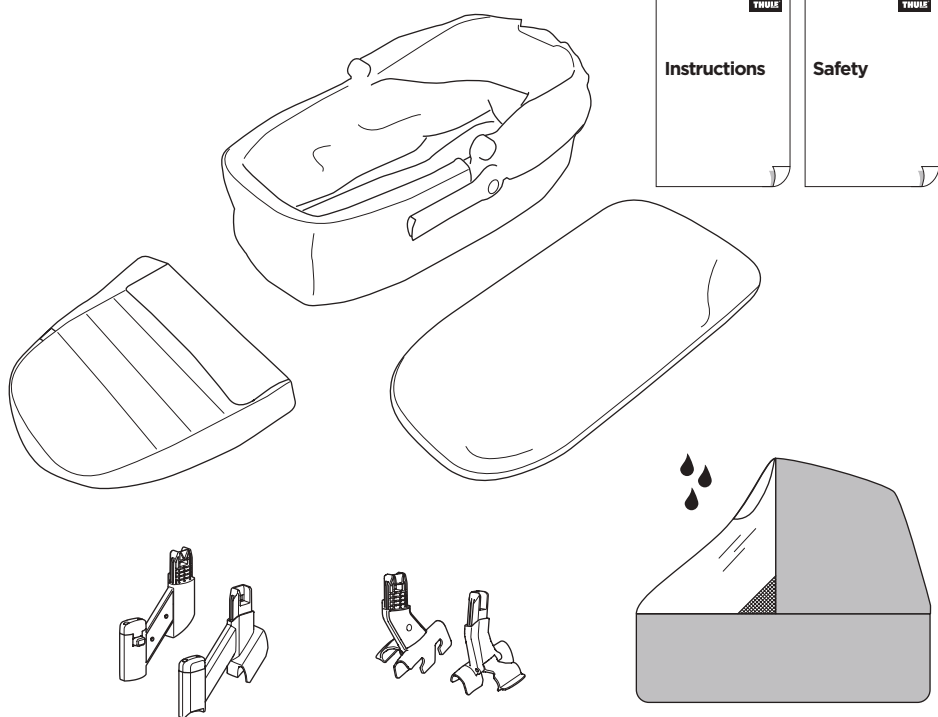
Apron, mattress pad, mattress cover & zip-off liner

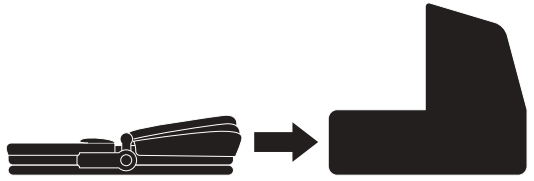
- Gentle machine wash separately or with like items using mild soap & warm water.
- Maximum water temperature 30 degrees Celsius.
- Rinse well & spin dry with no heat.
- Hang to air dry completely.
- No bleach. Do not iron. Do not dry clean.

Bassinet cover and canopy

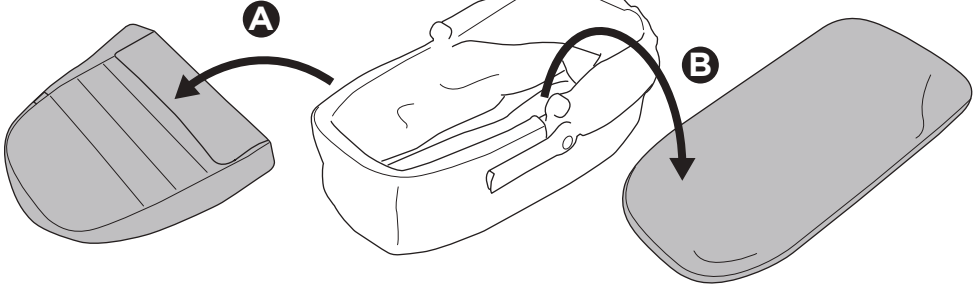
- Spot clean or hand wash gently with mild soap & warm water.
Do not use cleaning solvents.
- Rinse well with warm water.
- Hang to air dry completely.
- Do not machine wash!
- No bleach. Do not iron. Do not dry clean.

Store your stroller and accessories in a dry area out of direct sunlight. Before storing your stroller, it should be dry to prevent the growth of mold or bacteria.

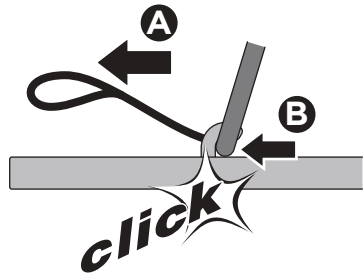
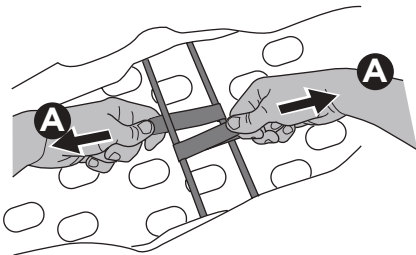
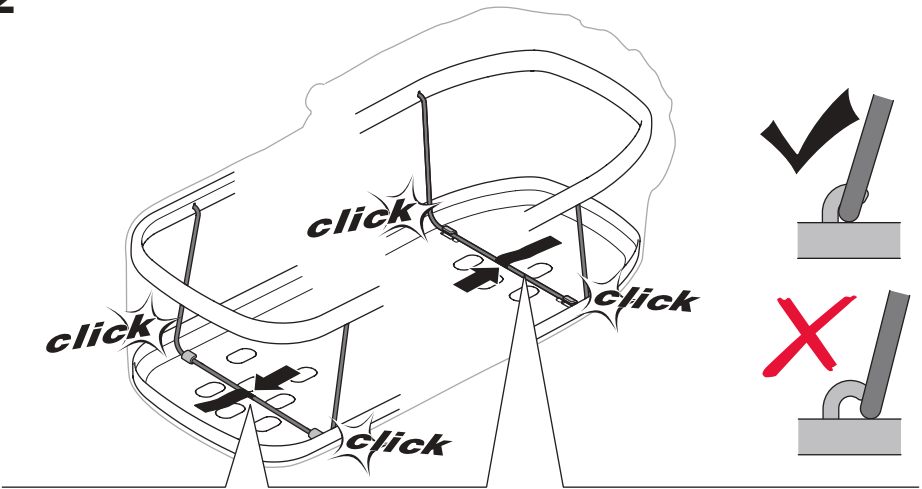




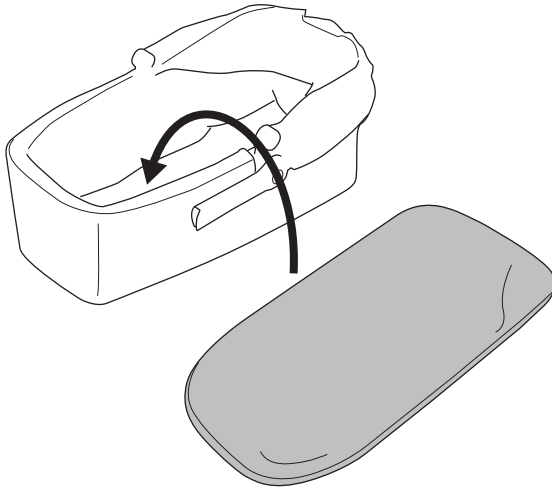
1



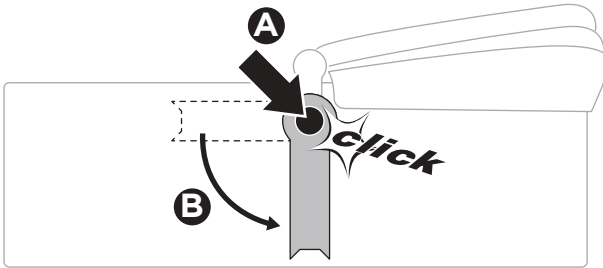
2



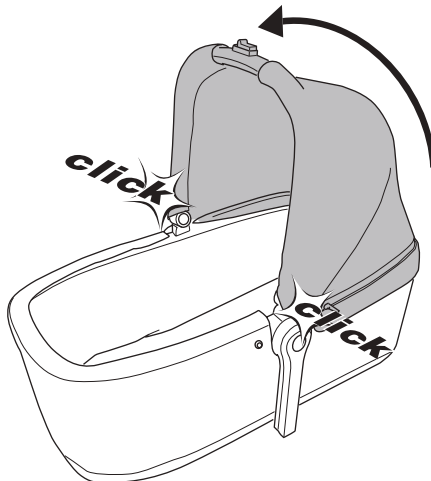
3

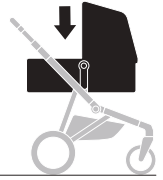


4

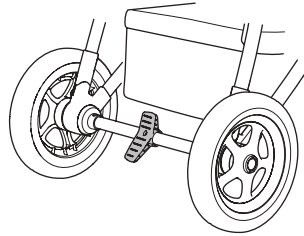
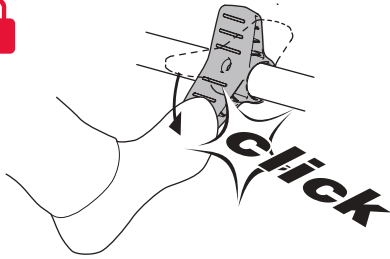


5

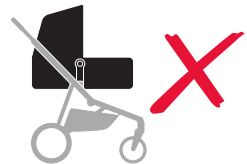
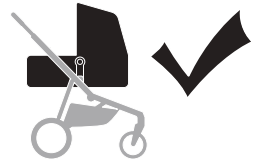
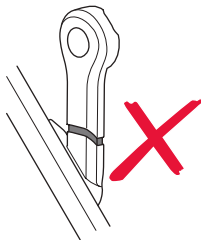
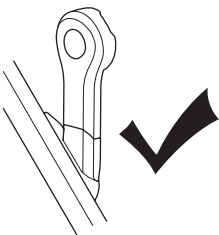
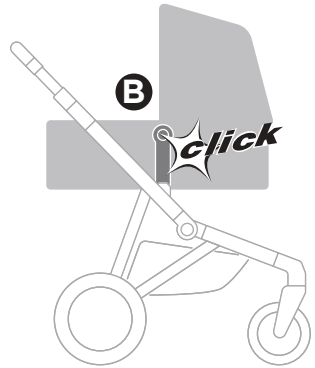
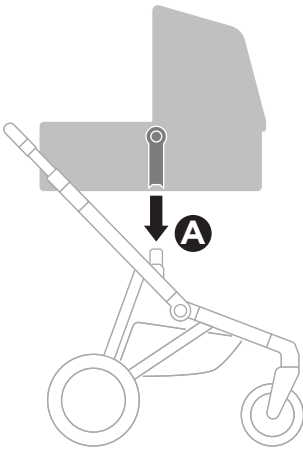




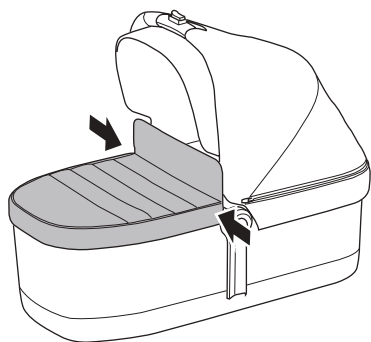
1



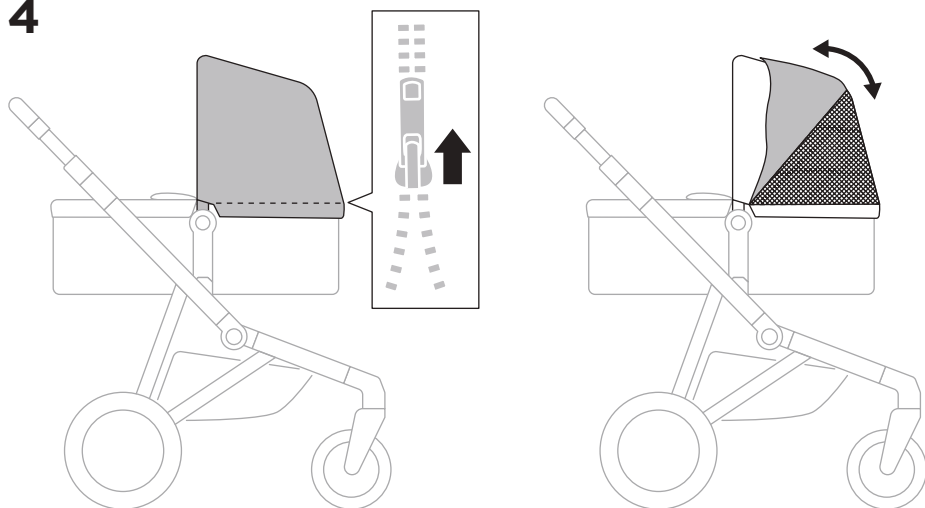
2



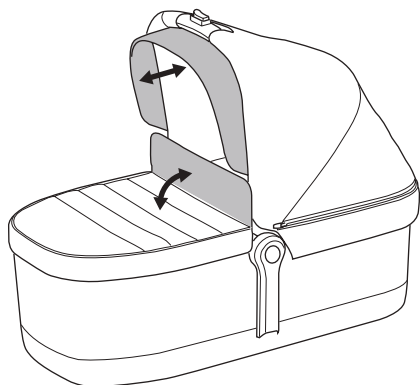
3



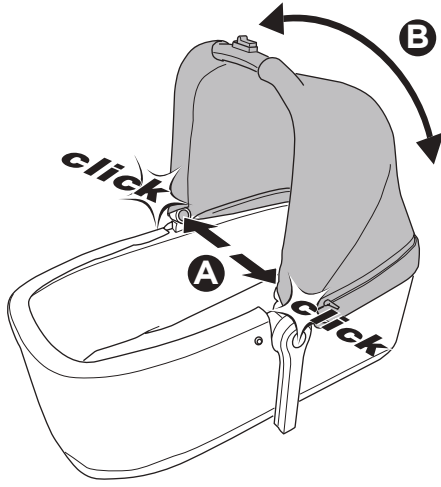
4



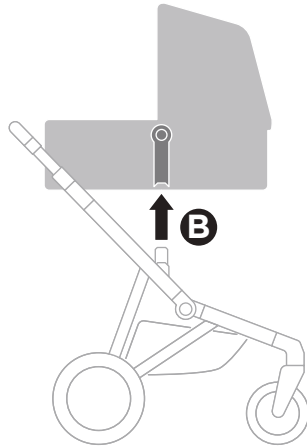
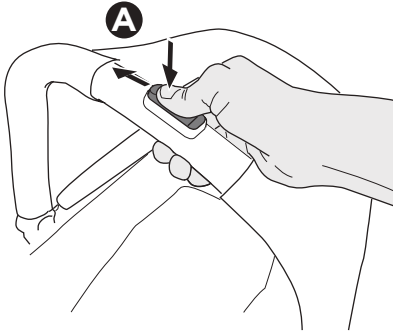
5

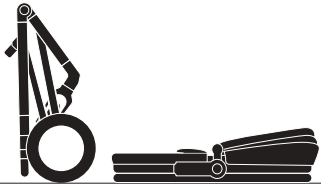


6

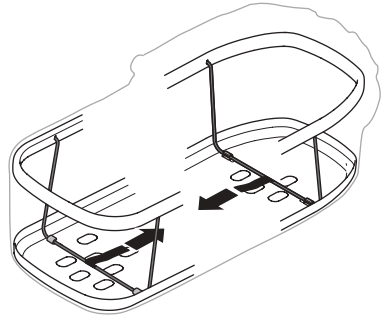
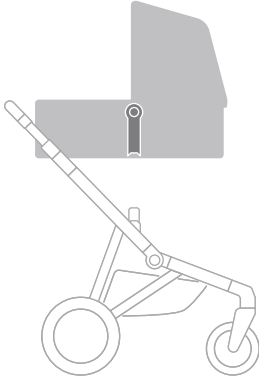


7

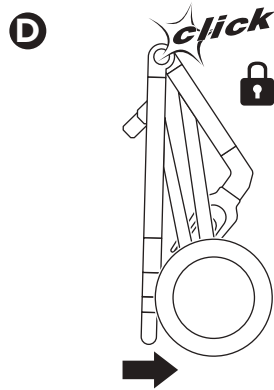
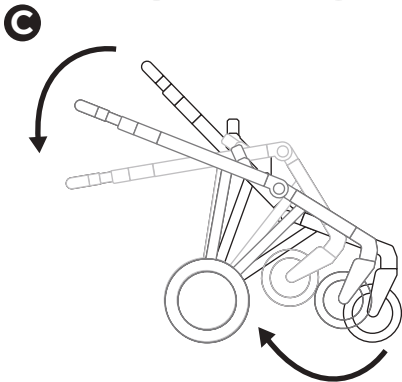
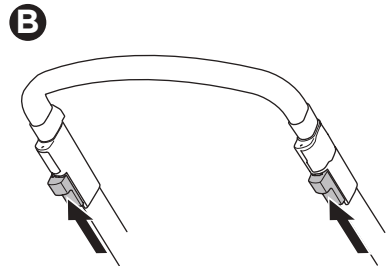
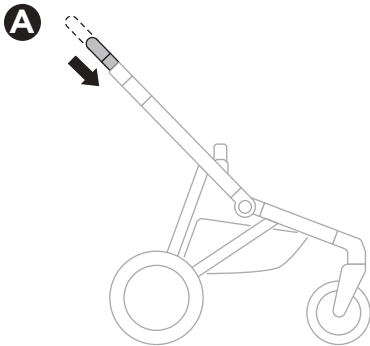




1

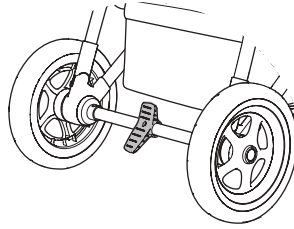
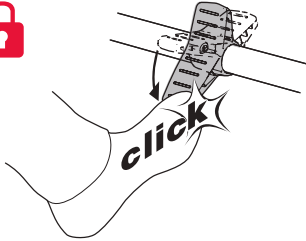


2

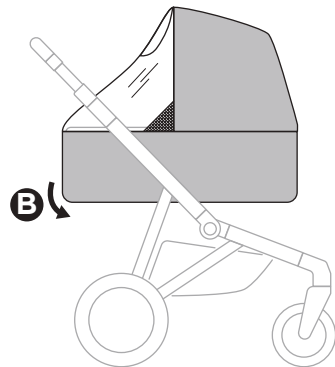
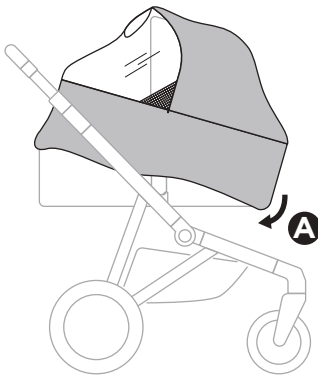
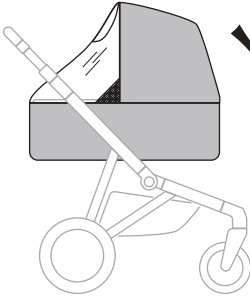




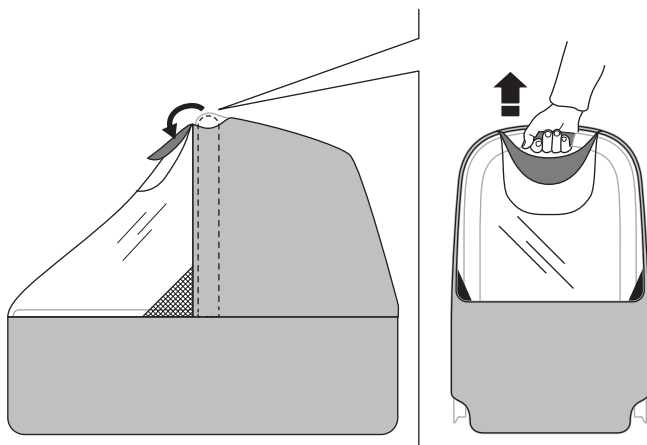
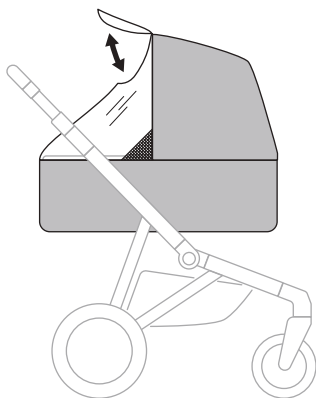
1



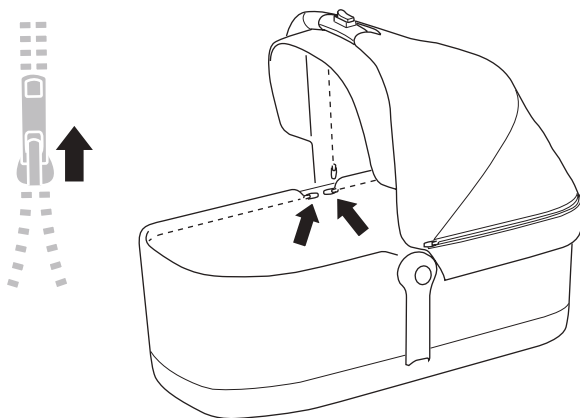
2

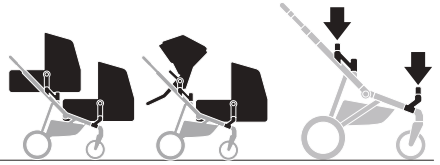


i

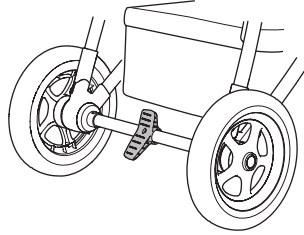
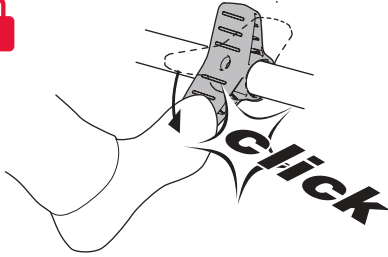


i

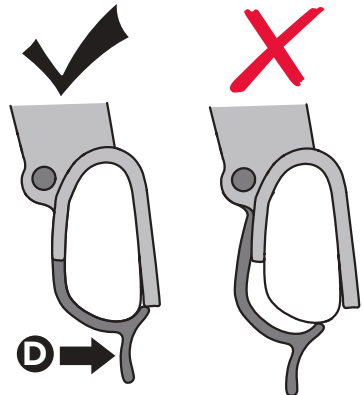
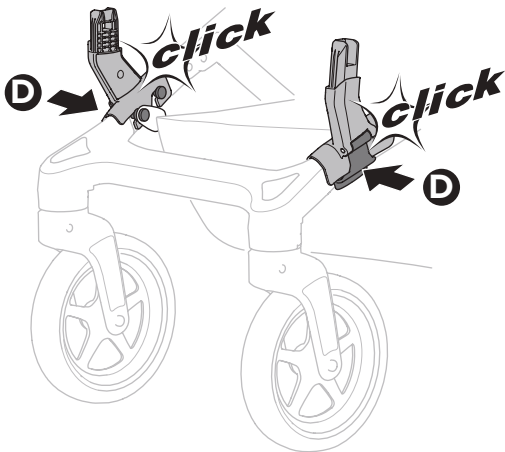
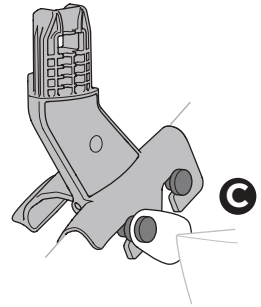
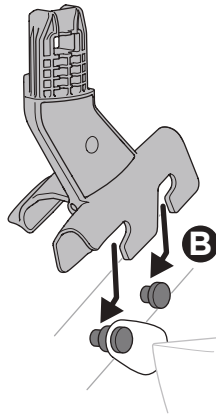
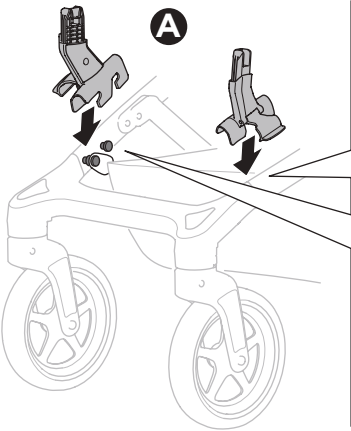




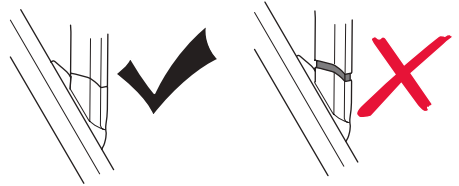
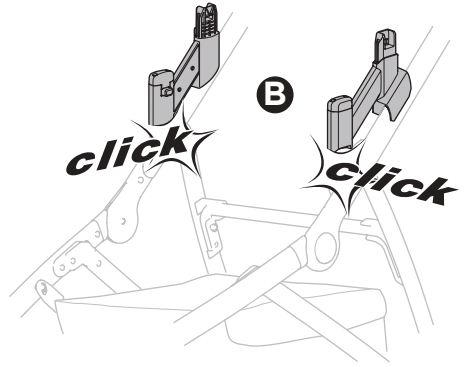
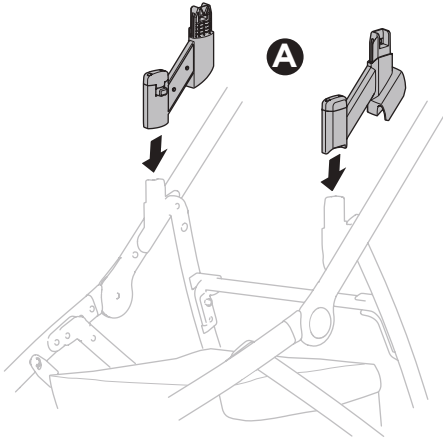
1



2



3



i

